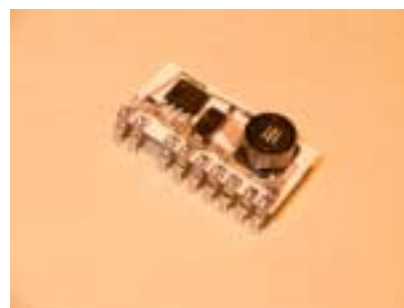


DC/DC CONVERTER 2 WATT

Model 831

Fixed 5 Volt Output

Hybrid SIP configuration

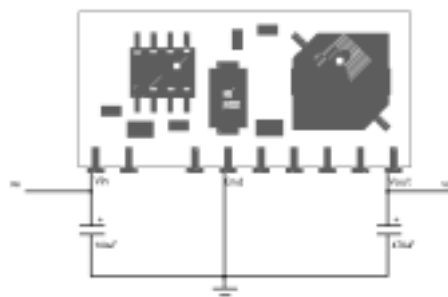


DESCRIPTION

The 831 is a wide input fixed output DC/DC converter. The part is easy to use, requiring only 2 external capacitors. Its SIP configuration minimizes board space.

The 831 uses a ceramic base and hybrid technology to virtually eliminate any heat sinking requirements and to yield a robust product.

A wide input voltage range, tight load regulation, and current limit protection yield a versatile POL DC/DC suitable for many applications. The efficient design maintains simplicity of use and low cost.



FEATURES

- Fixed output voltage
- Wide input voltage range
- Tight load regulation and line regulation
- Robust substrate construction requires no heat sinking
- SIP configuration minimizes board space
- Vertical or Horizontal Mount

ELECTRICAL¹

Output Voltage	5 V \pm 0.25 V
Input Voltage Range	12 VDC to 32 VDC
Line Regulation (16V to 32V @ 400mA)	1.0%
Load Regulation (100mA to 400mA)	1.0%
Efficiency (Vin =24V, Iout = 400mA)	70%
Output Ripple (Vin=24V, Iout = 400mA, figure 1)	120mVp-p max
Output Current	100mA to 400mA
Operating Temperature	-10°C to 70°C

¹ Specifications subject to change without notice.

ENVIRONMENTAL

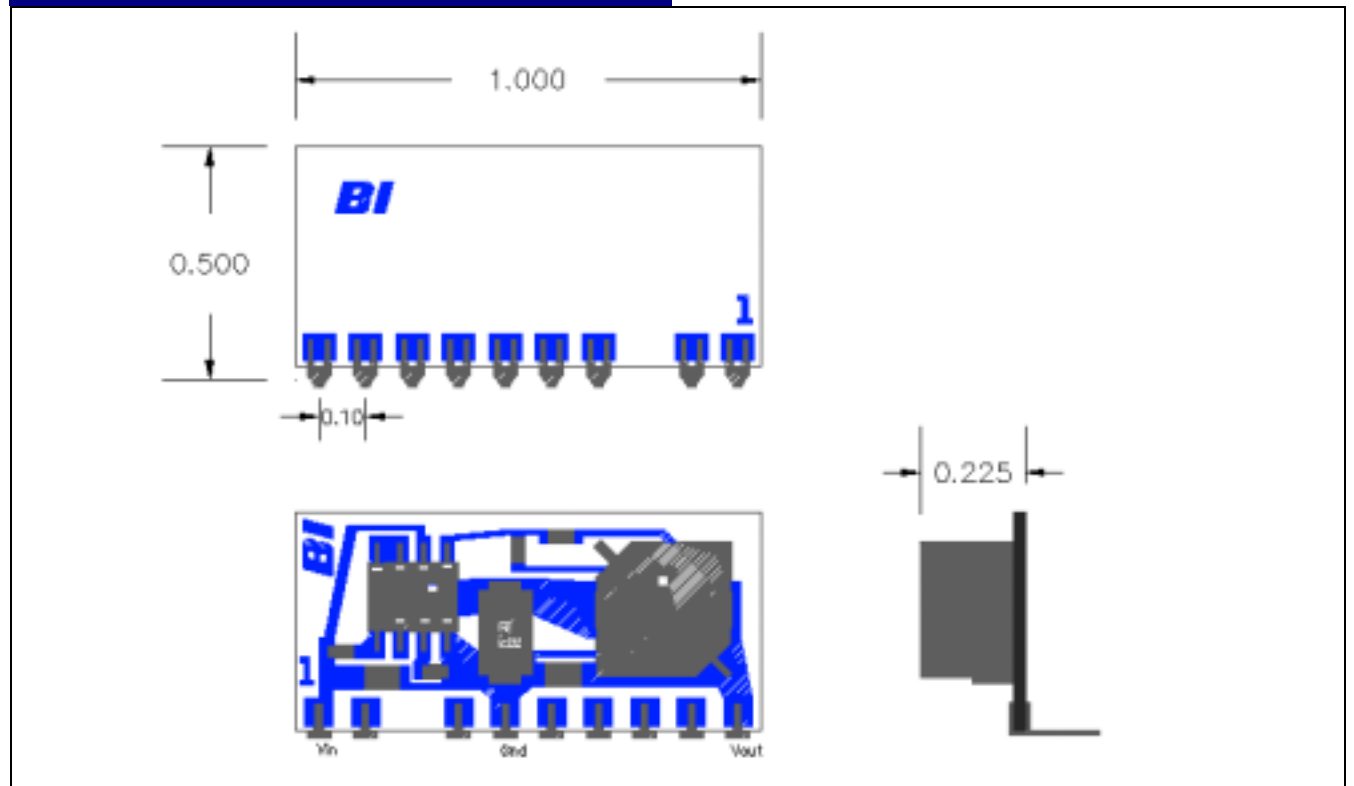
Power Cycling	TBD
Low/High Temperature Storage	TBD
Load Life, 1,000 Hours @ 70C	TBD
Storage Temperature Range	-55°C to +125°C

MECHANICAL

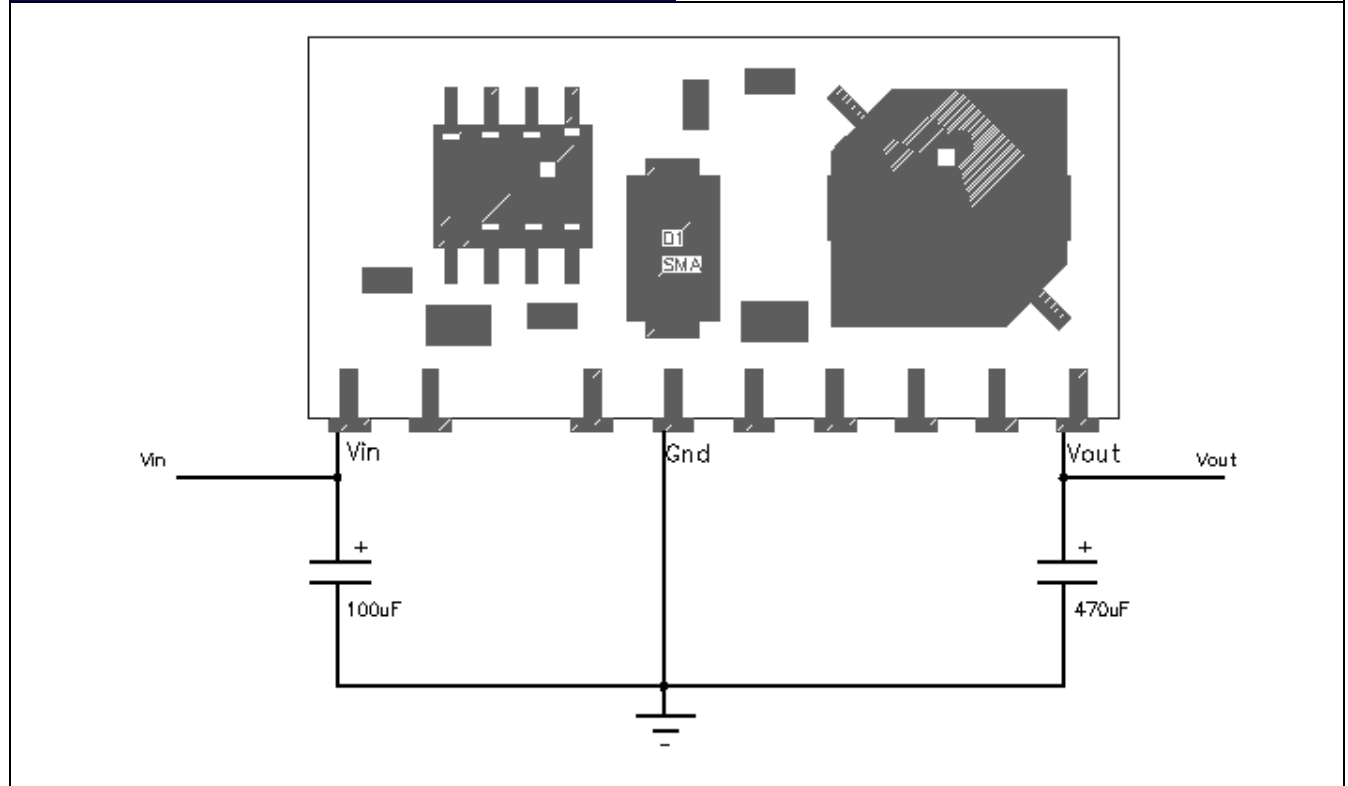
Length	1.0" ± .010
Height	0.50" max
Lead Spacing	0.10 Typ
Substrate Material	96% Alumina
Lead Free	Consult Factory

OUTLINE DRAWING²

DIMENSIONS: INCHES



STANDARD CONFIGURATION



PART NUMBER

Custom versions available. Consult factory for part number and details.

Part Number	Output	Comments
831-005	5 Volt	